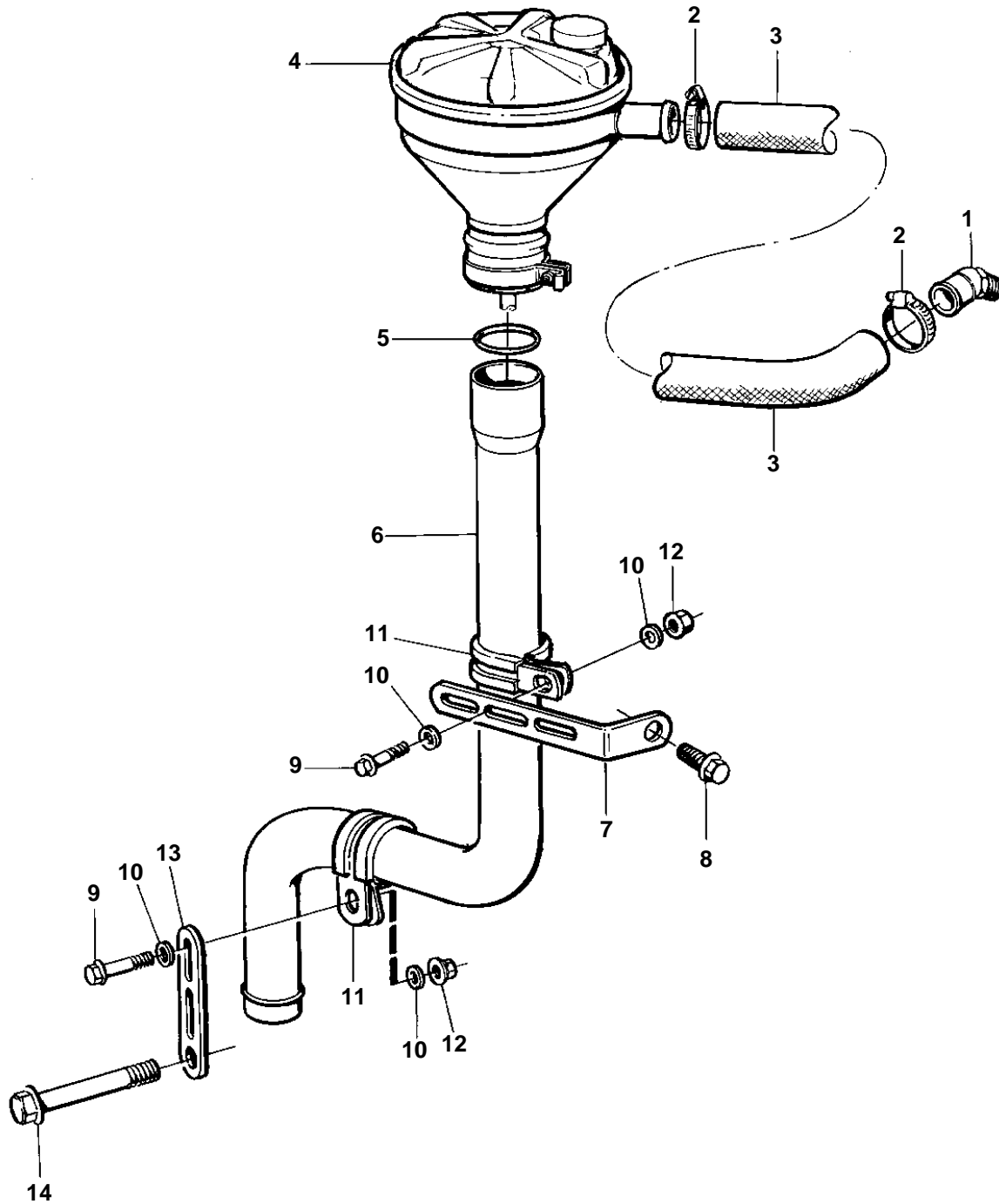


TAD1630P, TAD1630V



15829

TAD1630P, TAD1630V

REF	PART NO.	QTY	DESCRIPTION	NOTES
1	942649	1	Nipple	
2	943474	2	Hose clamp	
3	944386	X	Hose	L=850mm
4	3825036	1	Filter	
5	949722	1	O-ring	
6	3825015	1	Breather pipe	
7	965561	1	Bracket	
8		1	Screwinduction manifold	
9	946934	2	Flange screw	
10	976943	4	Washer	(960139)
11	968124	2	Clamp	
12	945407	2	Flange nut	
13	965534	1	Bracket	
14		1	Screwflywheel cover	